

auto electrical parts

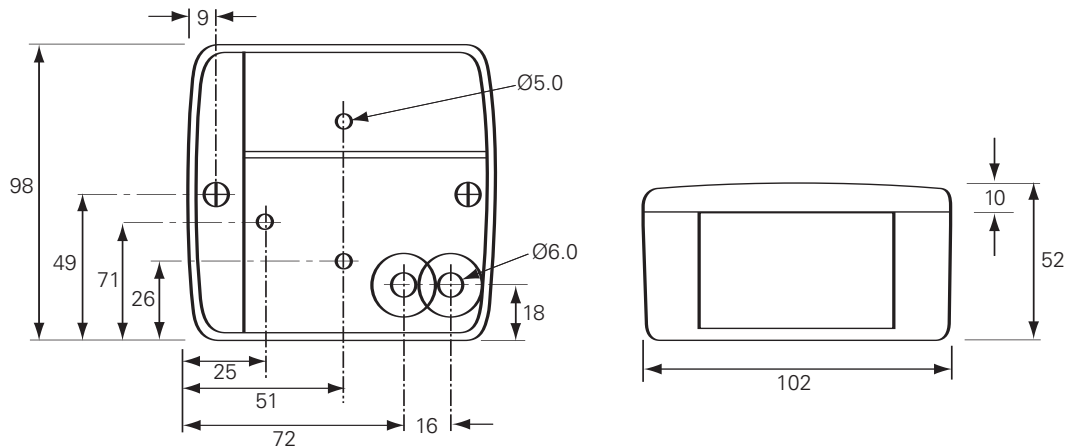
Technical Information Sheet

Part No. 0-294-50

Rear lamp, stop / tail / direction indicator / number plate illumination. Supplied without bulbs. I 110 x w 68 x h 102mm. ECE and EEC approved.



Technical Drawing (not to scale)



Specification

Type	Rear combination lamp
Chambers	2
Bulbs	SBC 21/5W, SCC 21W
Lens material	Plastic
Body material	Plastic
Weight	160g
Dimensions	I 110 x w 53 x h 102mm

The information contained in this document is correct to the best of our knowledge at the time of printing. However, specifications may change at any time without notice.